



压缩机温控阀芯、空调自动风口热动元件、地暖电热执行器热动元件、卫浴恒温阀芯、汽车温控阀芯、热动式疏水阀芯。

compressor, air conditioning automatic Thermostatic Elements , electric actuator of floor heating thermal element, sanitary ware, auto Thermostatic Elements , thermostatic valve core core thermal type steam trap.

产品应用



Floor heating electric actuators



Automatic air conditioning tuyere



Sanitary



Auto thermostat



Compressor temperature control valve



Thermal type steam trap

工作原理working principle

胶管式热动元件

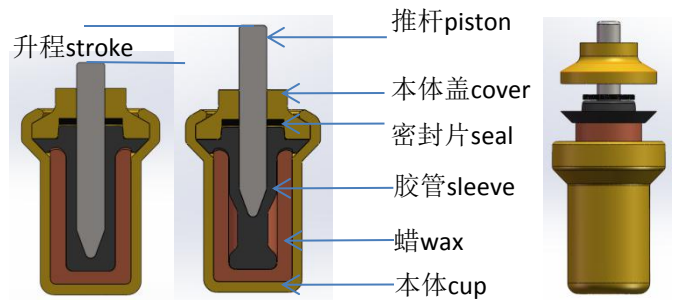
Squeeze-push Type

当加热时，本体内的蜡膨胀，胶管受蜡挤压，推动推杆向上运动，产生升程和推动力

当冷却时，弹簧推动推杆回位

When heated, the body wax expansion, hose wax extrusion, driven push rod upward movement, lift and thrust

When cooling, spring driven push rod



- 膜片式热动元件

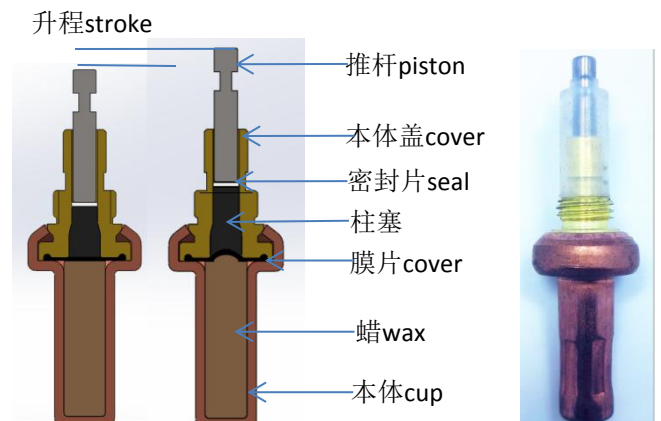
- Diaphragm Type

- 当加热时，本体内的蜡膨胀，推动膜片，膜片推动柱塞，柱塞推动推杆，产生升程和推动力

- 当冷却时，弹簧推动推杆回位

- When heated, the wax expansion in the body, promote the diaphragm, diaphragm, push the plunger plunger driven push rod, lift and thrust

- When cooling, spring driven push rod



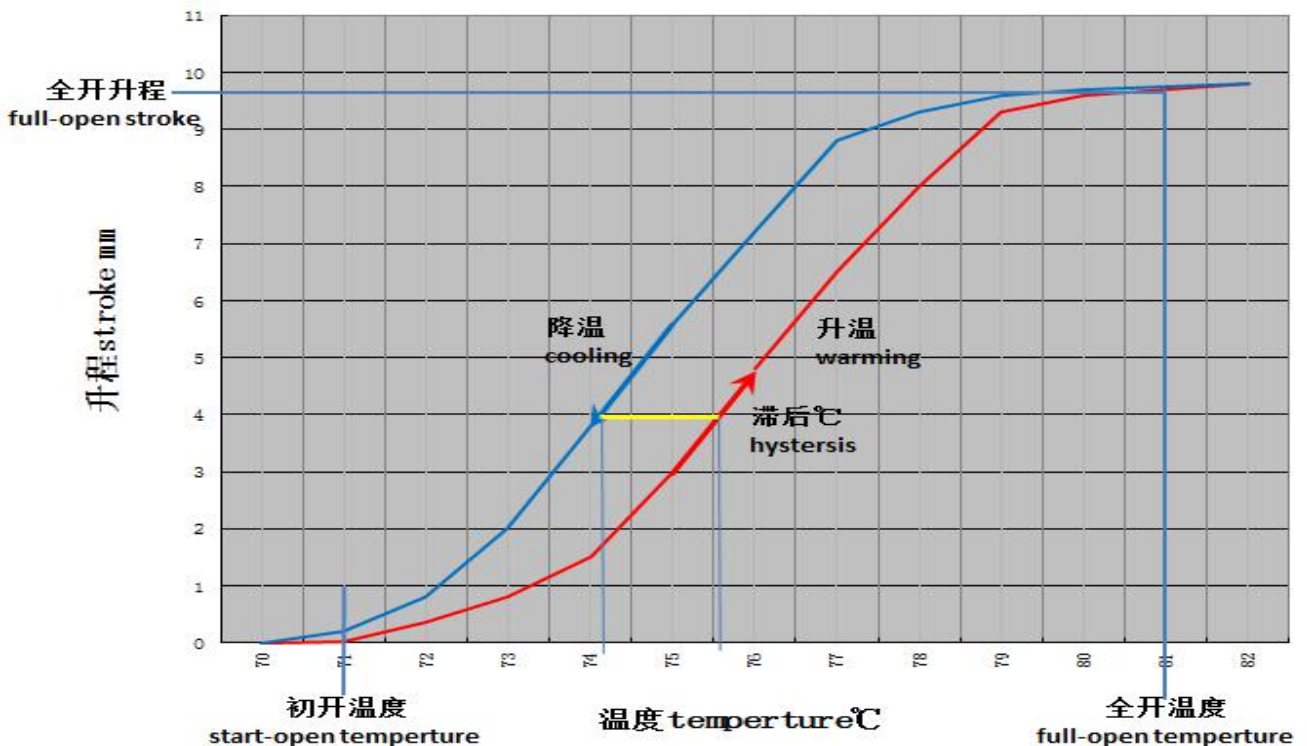
温度升程temperature stroke

● 适用温度范围temperature

- 适用温度范围（初开温度-全开温度）Operating temperature range (start open temp-full opened temp)
- 0~150°C

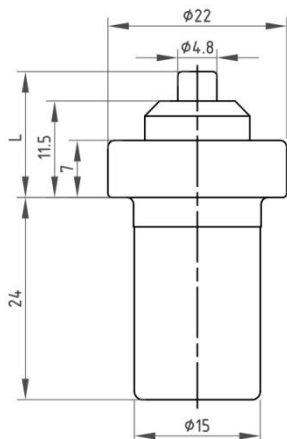
● 温度升程曲线temperature stroke curve

- 曲线能精确表明热动元件在温度范围内工作时推杆的升程变化。曲线分两部分：升温曲线-温度上升时感温蜡膨胀；降温曲线-温度降感温蜡体积缩小。这两个曲线同升程时的温度差值为滞后性。这是内部零件压缩和摩擦以及热惯性引起的。曲线的形状和斜率取决于感温蜡的膨胀率。
- Curve accurately show that thermal components work in the temperature range when the push rod lift changes. Curve is divided into two parts: heating curves - temperature rises wax thermal expansion; Cooling curve - temperature drop wax thermal shrinkage. The two curves with lift when the temperature difference value of hysteresis. This is caused by compression and friction, and thermal inertia of the internal parts. The shape of the curve and slope depends on the thermal expansion rate of wax.



温控阀芯
temperature control valve core

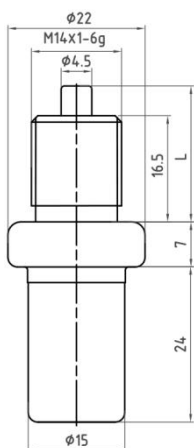
● 1100



负荷 load	40-250N
------------	---------

型号 models	温度范围°C temperature	升程mm stroke
1100-40	40/50	8-11
1100-45	45/55	8-11
1100-50	50/60	8-11
1100-55	55/65	8-11
1100-60	60/70	8-11
1100-65	65/75	8-11
1100-70	70/80	8-11
1100-76	76/86	8-11
1100-80	80/90	8-11
1100-82	82/95	8-11
1100-85	85/95	8-11
1100-87	87/102	8-11
1100-90	90/102	8-11

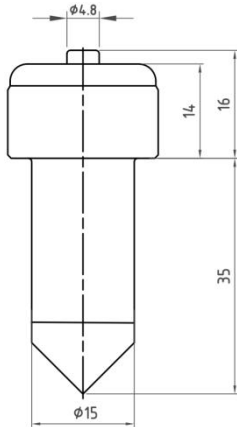
● 1110



负荷 load	40-120N
------------	---------

型号 models	温度范围°C temperature	升程mm stroke
1110-0	0/15	9-11
1110-17	17/27	9-11

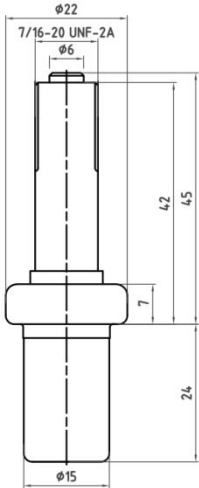
● 1112



负荷 load	50-300N
------------	---------

型号 models	温度范围°C temperature	升程mm stroke
1112-95	95/130	6-8

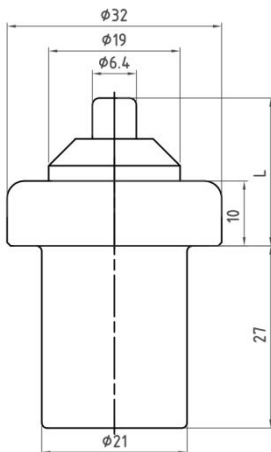
● 1119



负荷 load	120-300N
------------	----------

型号 models	温度范围°C temperature	升程mm stroke
1119-130	49/60	8-11
1119-160	65/77	8-11
1119-170	69/79	8-11
1119-180	76/85	8-11

● 1400

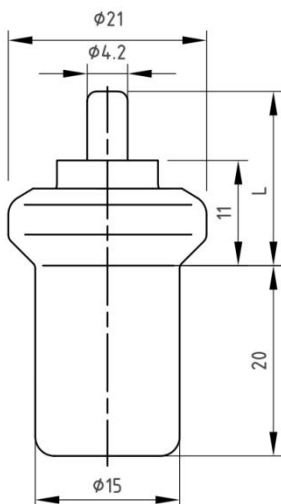


负荷 load	120-650N
------------	----------

型号 models	温度范围°C temperature	升程mm stroke
1400-70	70/80	9.5-13
1400-76	76/86	9.5-13

温控阀芯
temperature control valve core

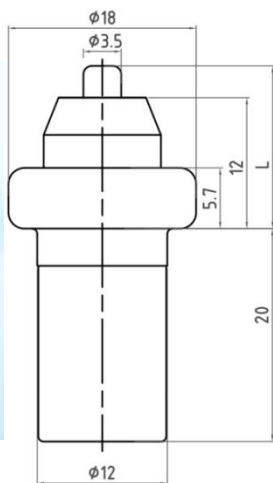
● 1200



负荷 load	50-240N
------------	---------

型号 models	温度范围℃ temperature	升程mm stroke
1200-70	70/80	8-11
1200-76	76/86	8-11
1200-80	80/90	8-11
1200-82	82/95	8-11
1200-85	85/95	8-11
1200-87	87/102	8-11
1200-89	89/96	6-8

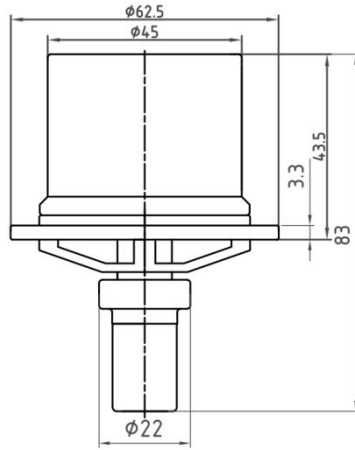
● 1800



负荷 load	30-150N
------------	---------

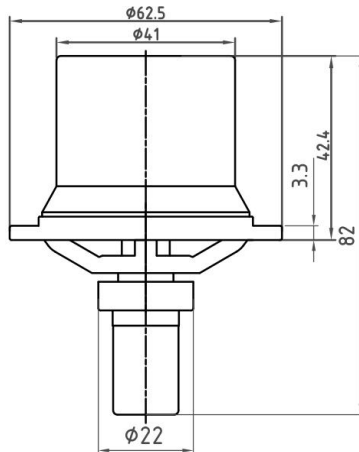
型号 models	温度范围℃ temperature	升程mm stroke
1800-70	70/80	8-10
1800-76	76/86	8-10
1800-80	80/90	8-10
1800-82	82/95	8-10
1800-85	85/95	8-10
1800-88	88/93	4-6
1800-93	93/105	3-5

● 6210



型号 models	温度范围°C temperature	升程mm stroke
6210-110	38/49	9-11
6210-130	49/60	9-11
6210-140	54/66	9-11
6210-150	60/71	9-11
6210-160	65/77	9-11
6210-170	71/82	9-11
6210-180	79/88	9-11
6210-190	82/91	9-11

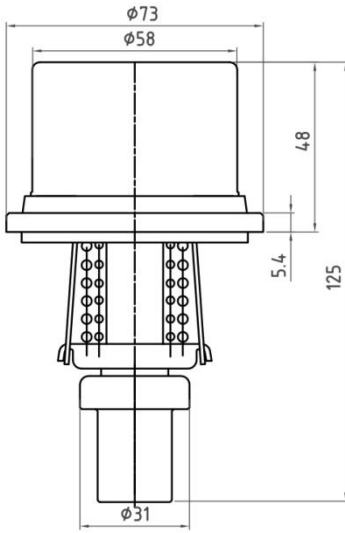
● 6213



型号 models	温度范围°C temperature	升程mm stroke
6213-110	38/49	8-11
6213-130	49/60	8-11
6213-140	54/66	8-11
6213-150	60/71	8-11
6213-160	65/77	8-11
6213-170	71/82	8-11
6213-180	79/88	8-11
6213-190	82/91	8-11

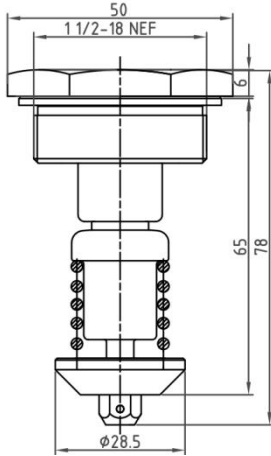
温控阀芯
temperature control valve core

● 7304



型号 models	温度范围°C temperature	升程mm stroke
7304-105	35/45	9.5-11.5
7304-130	51/60	9.5-11.5
7304-140	57/66	9.5-11.5
7304-150	62/73	9.5-11.5
7304-195	87/98	9.5-11.5
7304-210	93/102	9.5-11.5

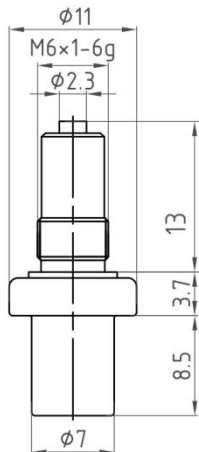
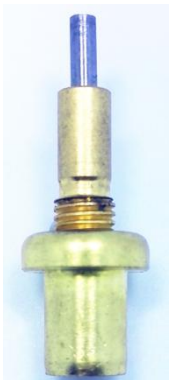
● 4401



型号 models	温度范围°C temperature	升程mm stroke
4401-125F	32/52	4-6
4401-155F	60/68	4-6
4401-71	71/88	6-8

恒温阀芯
Thermostatic Cartridge

● 1500

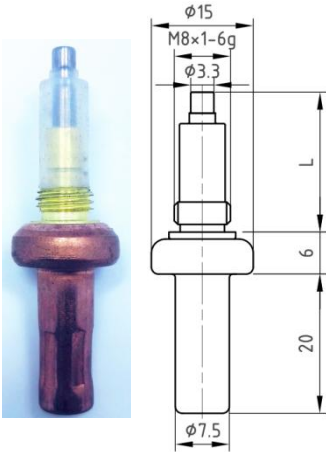


负荷 load	30-90N
------------	--------

型号 models	温度范围°C temperature	升程mm stroke
1500	31/36	3.6±0.4

恒温阀芯
Thermostatic Cartridge

● 1300

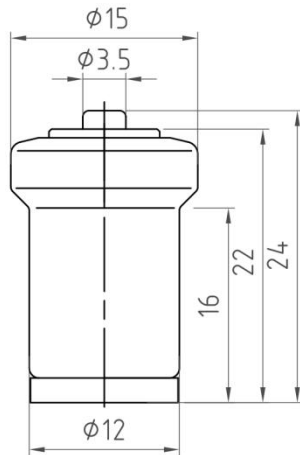


负荷 load	45-140N
------------	---------

型号 models	温度范围℃ temperature	升程mm stroke
1300	15/60	5.7±0.3

电热执行器阀芯
Electric actuator valve core

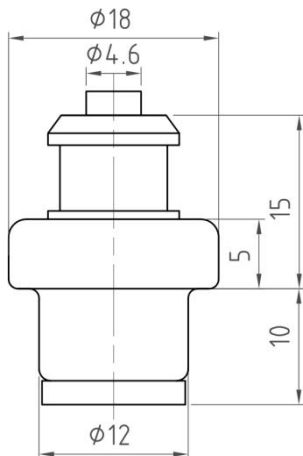
● 1600



负荷 load	30-180N
------------	---------

型号 models	电压 voltage	升程mm stroke
1600	12V/24V/230V	3-6

● 1700



负荷 load	50-250N
------------	---------

型号 models	电压 voltage	升程mm stroke
1700	12V/24V/230V	3-6